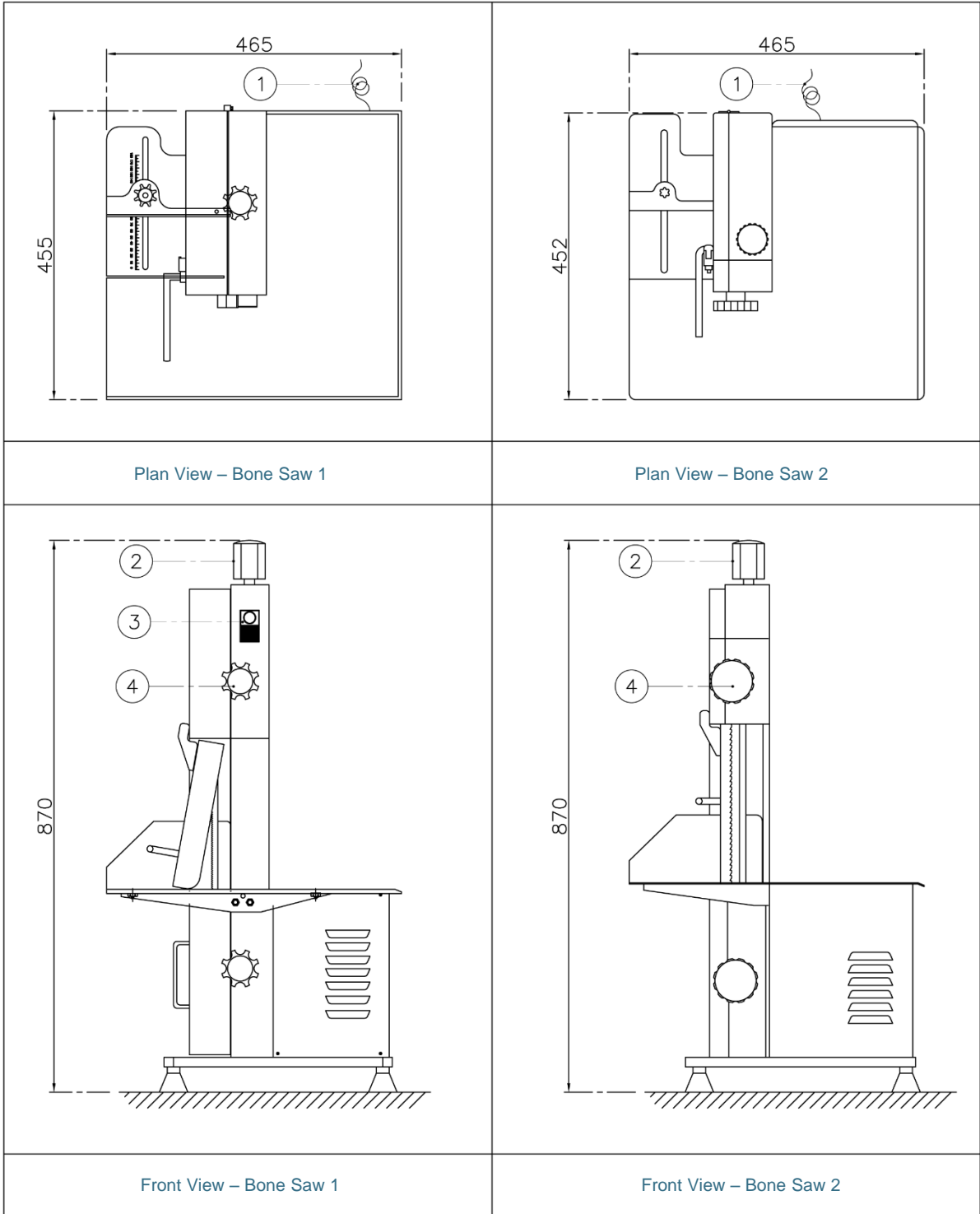


Technical Specification for Bone Saw



- 1. Electrical cable connection
- 2. Tension knob
- 3. On/Off switch
- 4. Handle wheel

Marine voltage available
Flange feet available

Subject to change without prior notice.