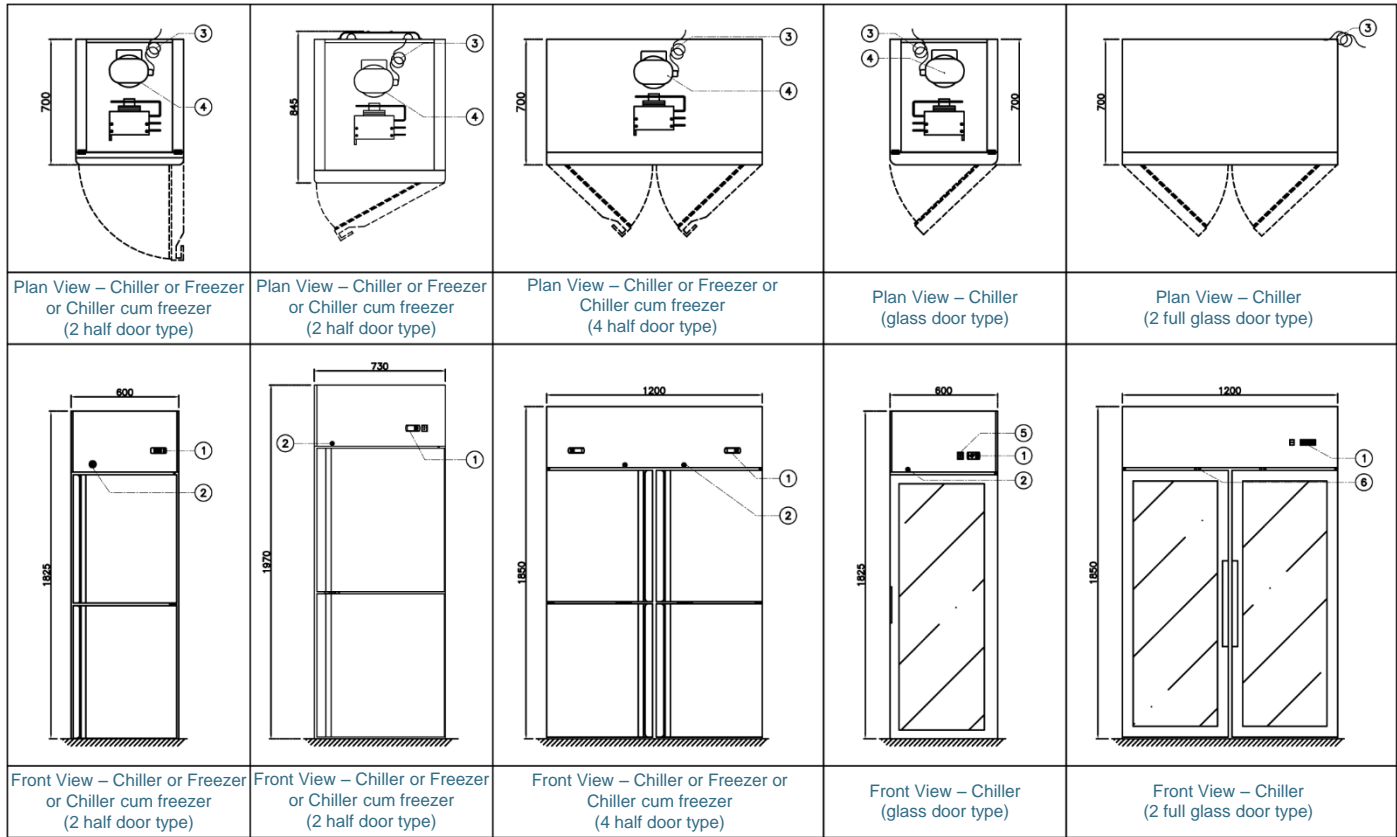


### Technical Specification for Electric Stainless Steel Refrigerator

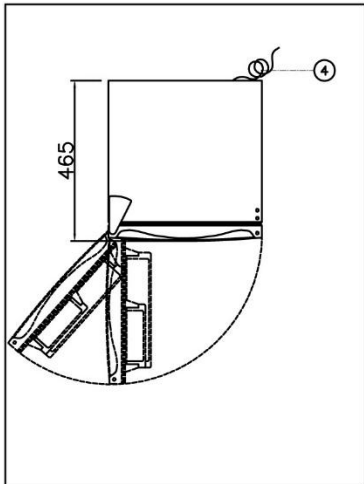
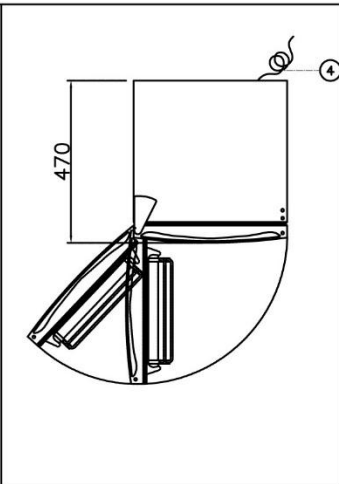
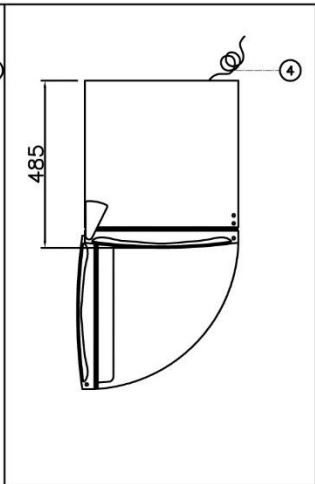
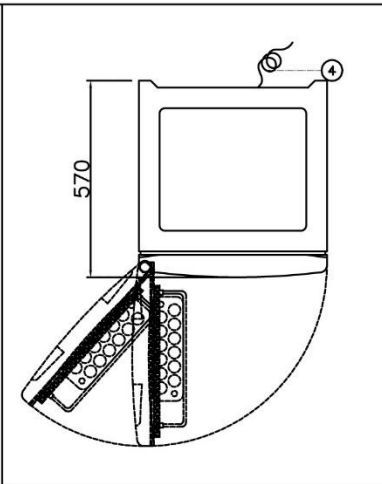
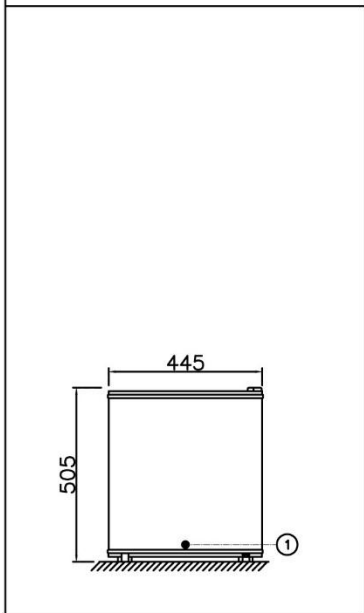
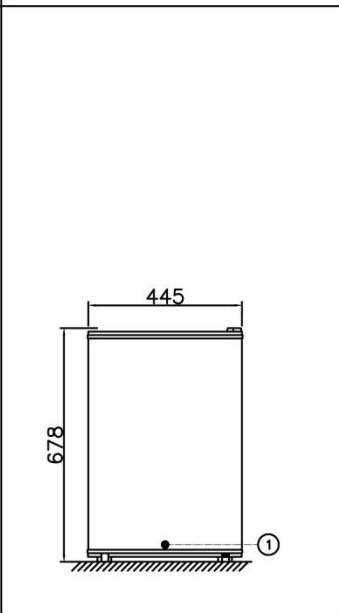
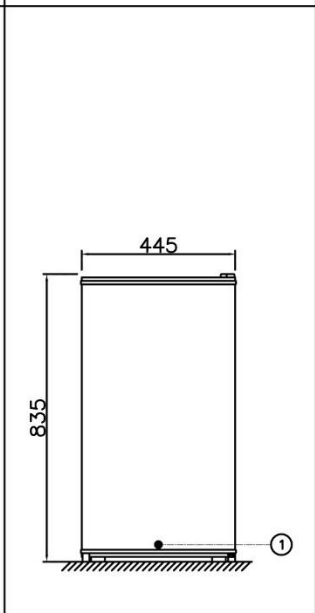
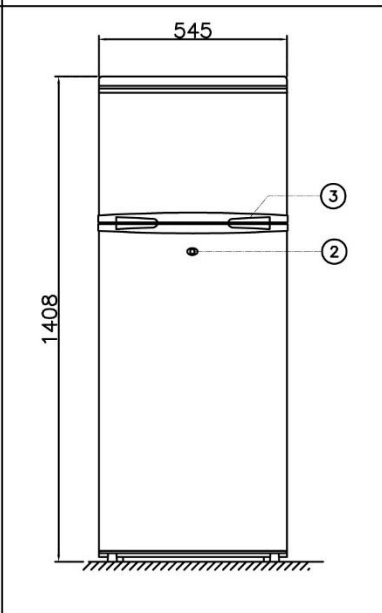


- 1. Digital control display
- 2. Door lock
- 3. Electrical cable connection
- 4. Compressor
- 5. On/Off switch
- 6. Door light switch

Marine voltage available  
 Flange feet available  
 Wall mounting bracket available

Subject to change without prior notice.

Technical Specification for Refrigerator

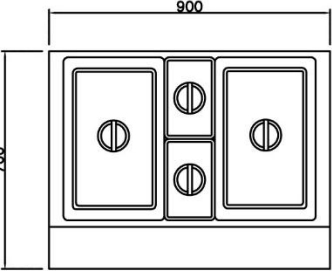
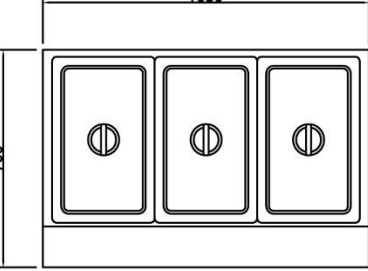
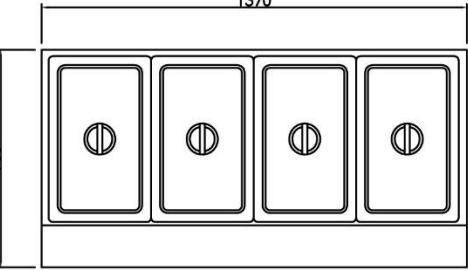
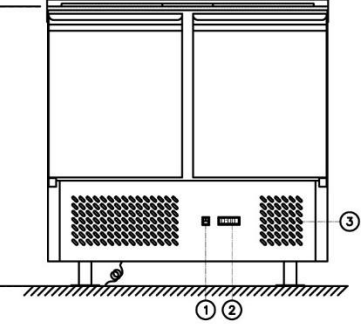
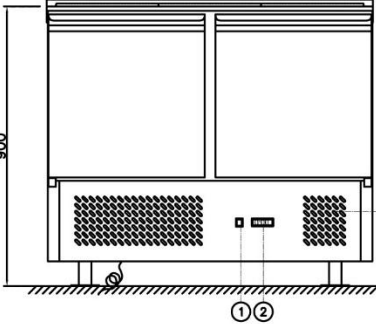
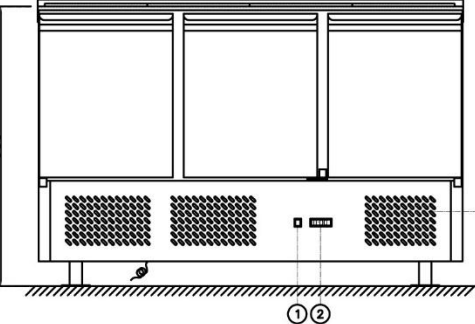
			
<p>Plan View – Refrigerator</p>	<p>Plan View – Refrigerator</p>	<p>Plan View – Refrigerator</p>	<p>Plan View – Refrigerator</p>
			
<p>Front View – Refrigerator</p>	<p>Front View – Refrigerator</p>	<p>Front View – Refrigerator</p>	<p>Front View – Refrigerator</p>

- 1. Door lock w/keys
- 2. Key locks for upper & lower keys
- 3. Door handle
- 4. Electrical cable connection

Marine voltage available  
Flange feet available

Subject to change without prior notice.

Technical Specification for Electric Refrigerated Counter

 <p>900</p> <p>700</p>	 <p>1050</p> <p>700</p>	 <p>1370</p> <p>700</p>
<p>Plan View – 2-1/4 Size GN Pan</p>	<p>Plan View – 3 Full Size GN Pan</p>	<p>Plan View – 4 Full Size GN Pan</p>
 <p>900</p> <p>① ② ③</p>	 <p>900</p> <p>① ② ③</p>	 <p>900</p> <p>① ② ③</p>
<p>Front View – 2-1/4 Size GN Pan</p>	<p>Front View – 3 Full Size GN Pan</p>	<p>Front View – 4 Full Size GN Pan</p>

- 1.ON / OFF switch
- 2.Temperature display
- 3.Louver

Marine voltage available  
Flange feet available  
Available sneeze guard, lamp, hand rail & tray slide.