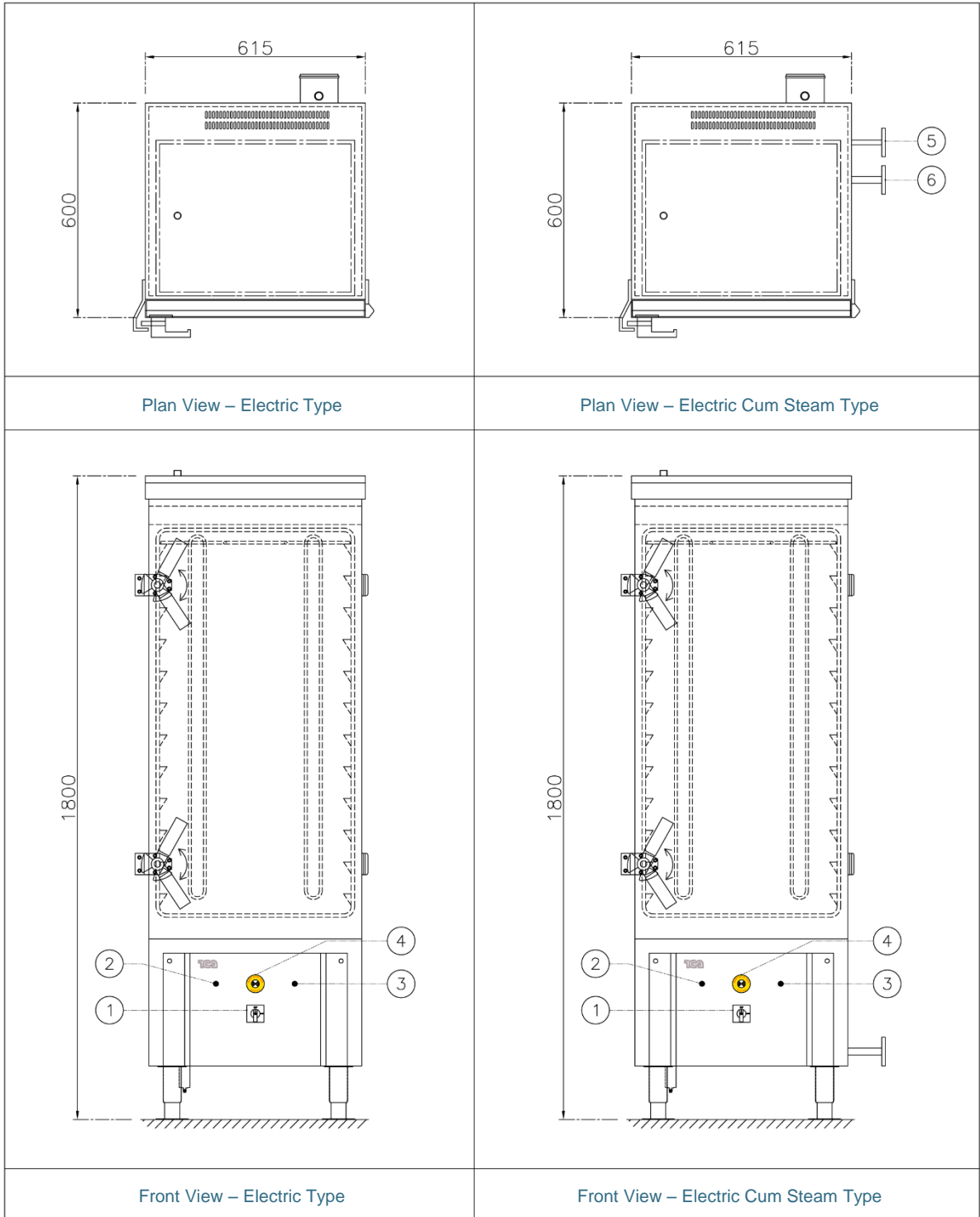


Technical Specification for Electric Steaming Cabinet



- 1. Main switch
- 2. Power indicator light
- 3. Working indicator
- 4. Lower water level buzzer
- 5. 1/2" steam outlet w/flange JIS 5K-15A
- 6. 3/4" steam inlet w/flange JIS 5K-15A

Marine voltage available
Adjustable flange feet & rice pan available

Subject to change without prior notice.