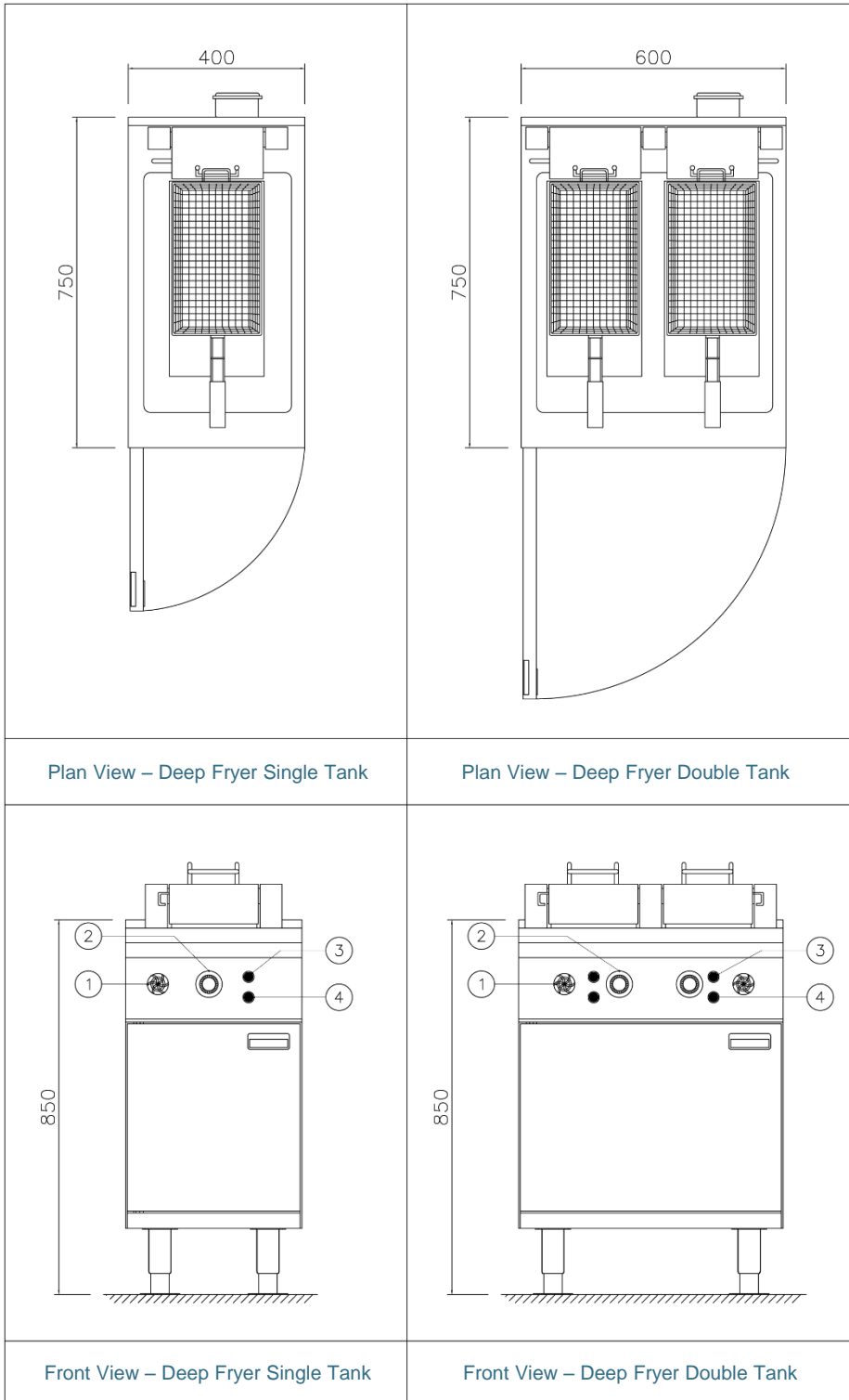


Technical Specification for Electric Deep Fryer



- 1. Buzzer
- 2. Thermostat control knob
- 3. Power pilot light
- 4. Heating/safety pilot light

Marine voltage available
Adjustable flange feet or non-adjustable flange feet available

Subject to change without prior notice.