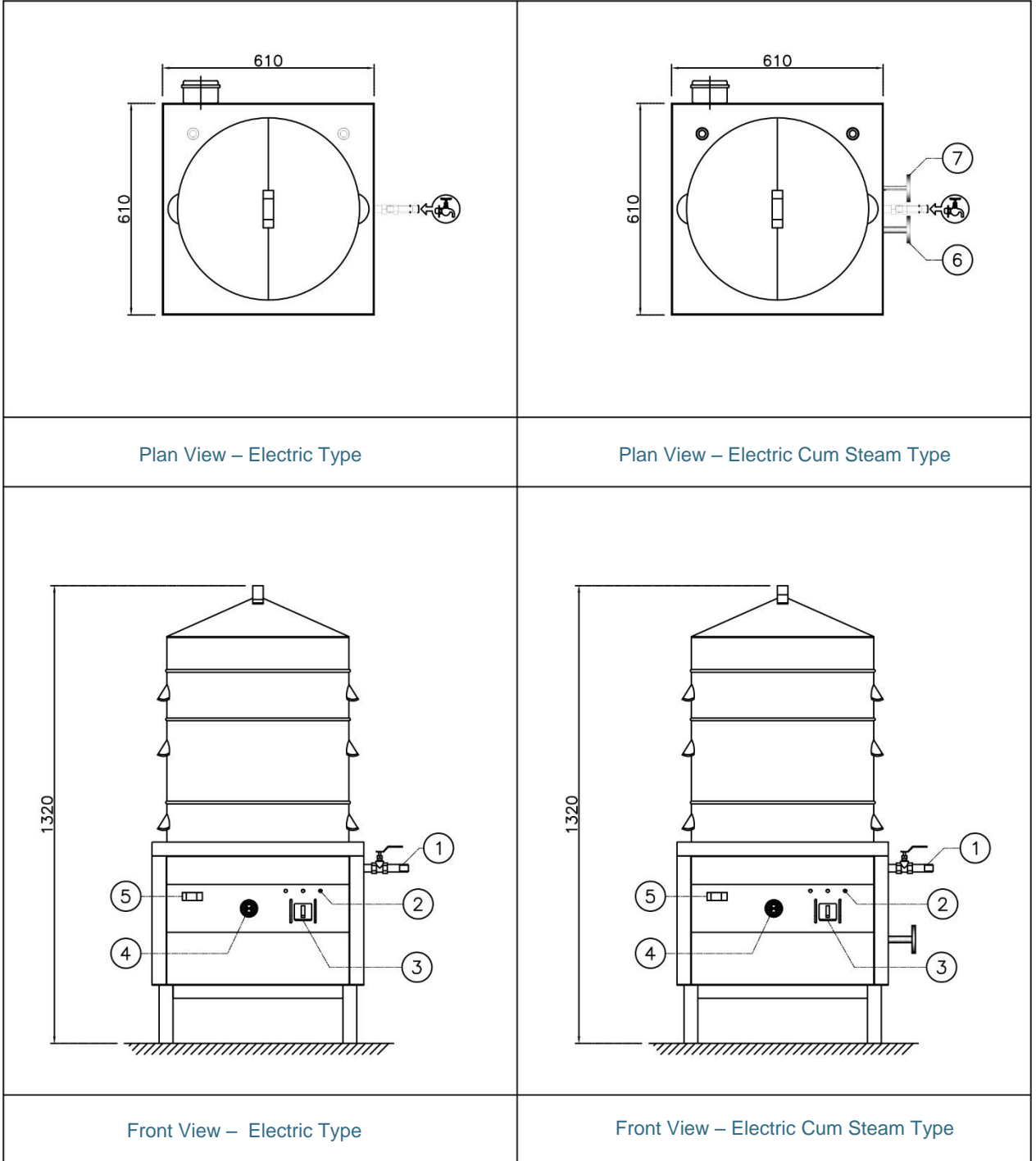


Technical Specification for Chinese Style Bread Steamer



- 1. Water inlet
- 2. Low water level indicator light
- 3. Power on/off switch
- 4. Low water level buzzer
- 5. Thermometer
- 6. Steam inlet
- 7. Steam Outlet

Marine voltage available
 Flange feet available
 Available steamer cover, steamer basket, steamer basket

Subject to change without prior notice.