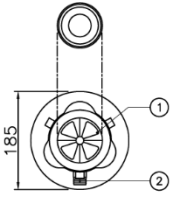
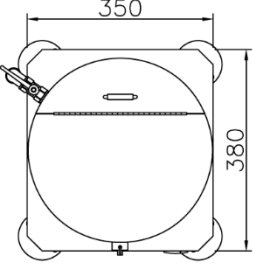
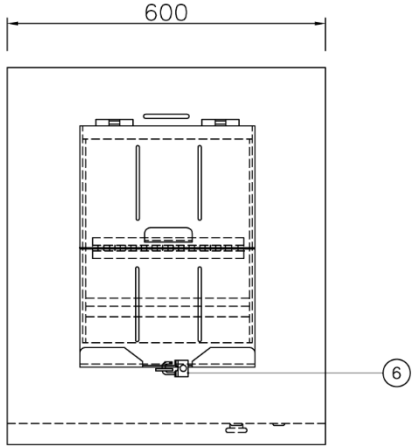
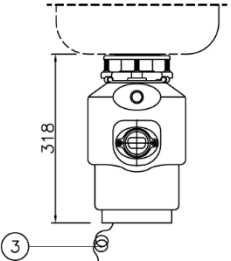
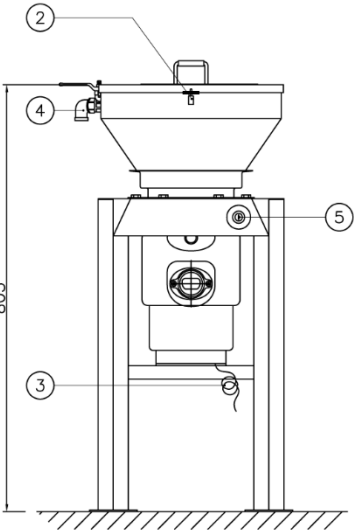
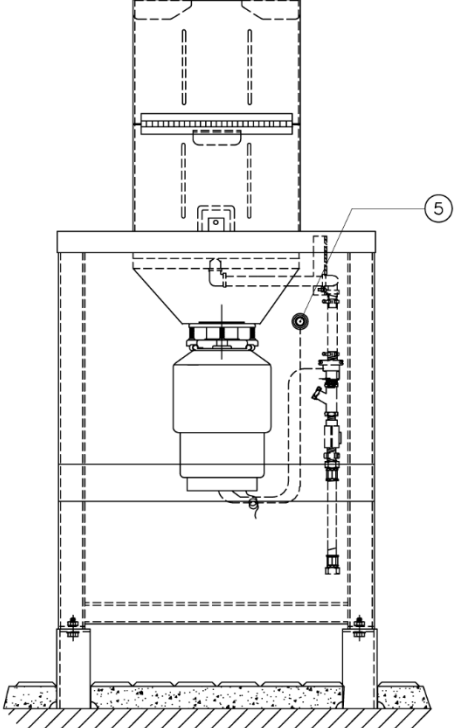


Technical Specification for Waste Disposer

		
<p>Plan View – Waste Disposer</p>	<p>Plan View – Waste Disposer (Freestanding Type)</p>	<p>Plan View – Waste Disposer (S/ST Cabinet)</p>
		
<p>Front View – Waste Disposer</p>	<p>Front View – Waste Disposer (Freestanding Type)</p>	<p>Front View – Waste Disposer (S/ST Cabinet)</p>

- 1.S/ST Waste Chute
- 2.S/ST Cover w/Lock
- 3.Electrical cable connection
- 4.Water Inlet w/1/2" Female Elbow & Stop Valve
- 5.Air Switch
- 6.Lock w/Key

Marine voltage available
Flange feet available

Subject to change without prior notice.