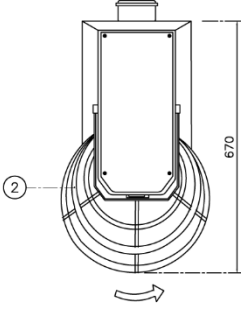
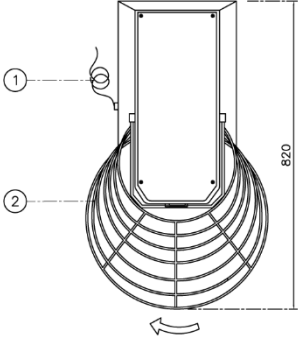
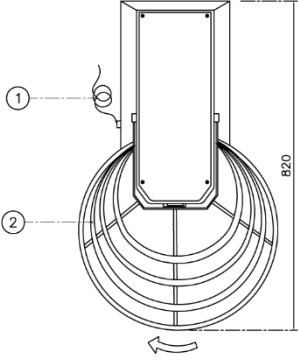
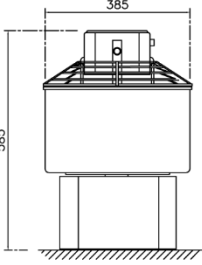
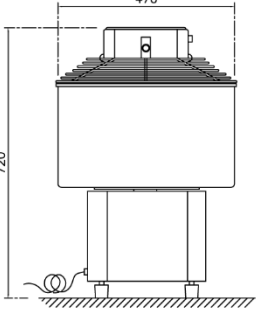
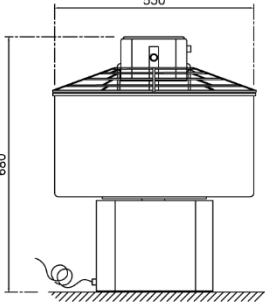
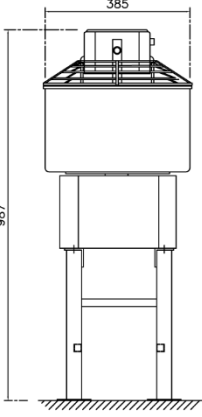
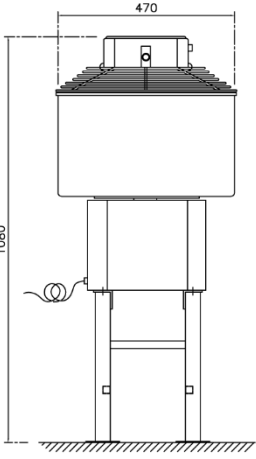
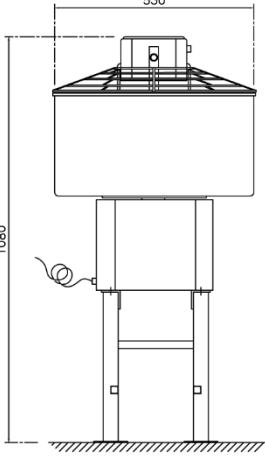


Technical Specification for Dough Mixer

		
<p>Plan View – Dough Mixer/25</p>	<p>Plan View – Dough Mixer/50</p>	<p>Plan View – Dough Mixer/60</p>
		
<p>Front View – Dough Mixer/25</p>	<p>Front View – Dough Mixer/50</p>	<p>Front View – Dough Mixer/60</p>
		
<p>Front View – Dough Mixer/25 w/ Floor Standing Type</p>	<p>Front View – Dough Mixer/50 w/ Floor Standing Type</p>	<p>Front View – Dough Mixer/60 w/ Floor Standing Type</p>

1.Electrical cable connection  
2.Safety guard ring

Marine voltage available  
Flange feet available

Subject to change without prior notice.