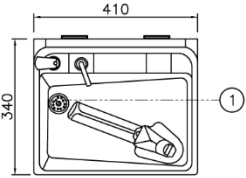
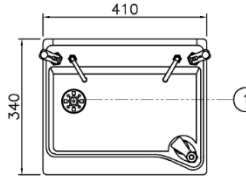
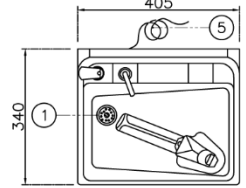
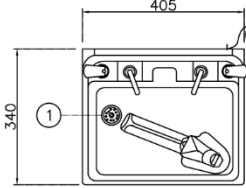
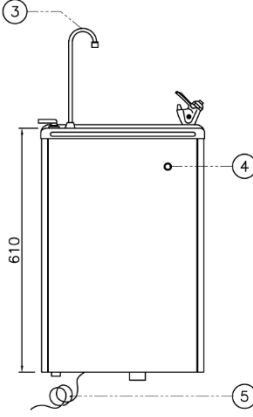
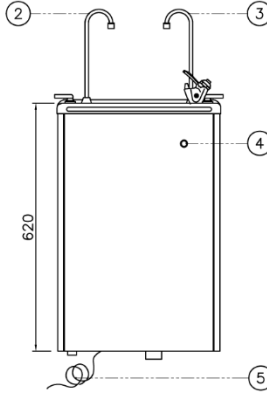
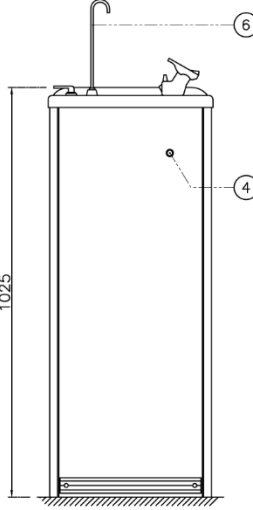
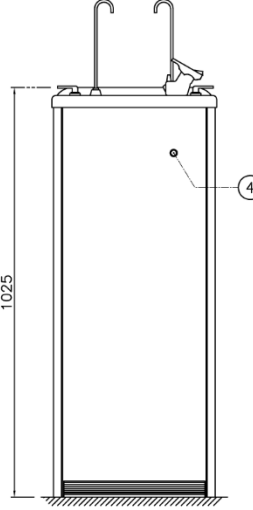


Technical Specification for Water Dispenser Hot & Cold

			
<p>Plan View – Water Dispenser/600</p>	<p>Plan View – Water Dispenser (Hot &amp; Cold) /660</p>	<p>Plan View – Water Dispenser/800</p>	<p>Plan View – Water Dispenser (Hot &amp; Cold) /850</p>
			
<p>Front View – Water Dispenser/600</p>	<p>Front View – Water Dispenser (Hot &amp; Cold) /660</p>	<p>Front View – Water Dispenser/800</p>	<p>Front View – Water Dispenser (Hot &amp; Cold) /850</p>

- 1. Water drainage strainer
- 2. Hot water filler
- 3. Cold water filler
- 4. Pilot light
- 5. Electrical cable connection
- 6. Glass filler (include supply)

Marine voltage available  
Flange feet, water filter & UV sterilizer available

Subject to change without prior notice.