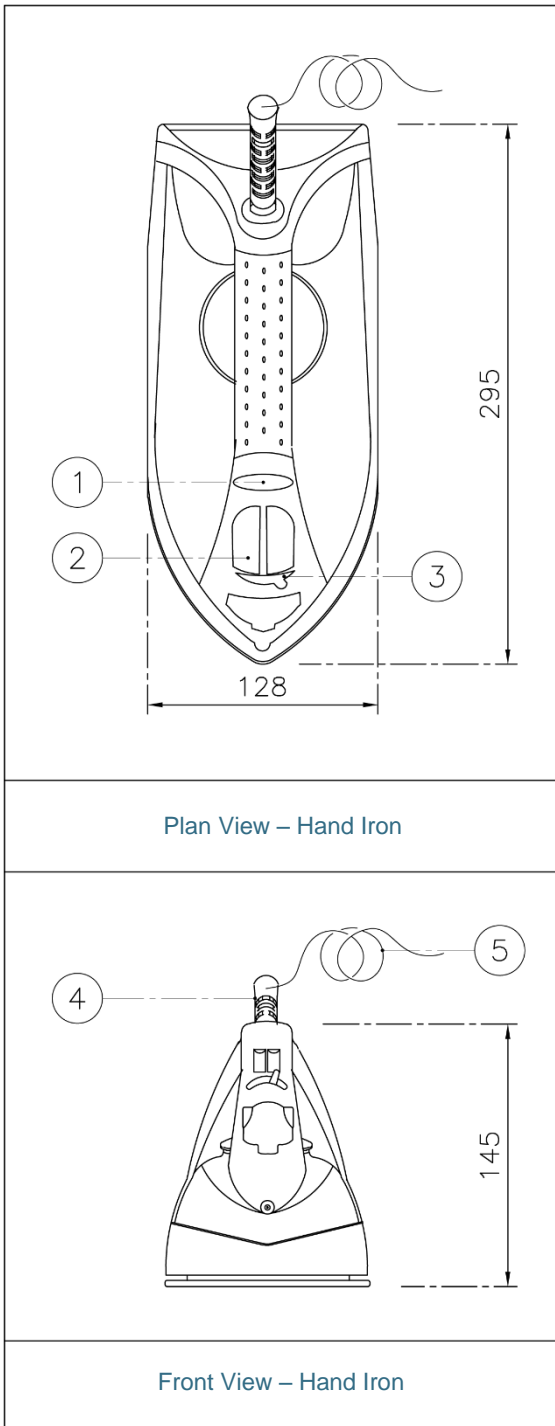


Technical Specification for Hand Iron



Hand iron shelf available (optional)

- 1.Swiveling Cord Protector
- 2.Anti-Rolling Guard
- 3.Wall Mounted Shelf
- 4.Steam Control Indicator
- 5.Electrical Cable Connection

Marine voltage available

Subject to change without prior notice.